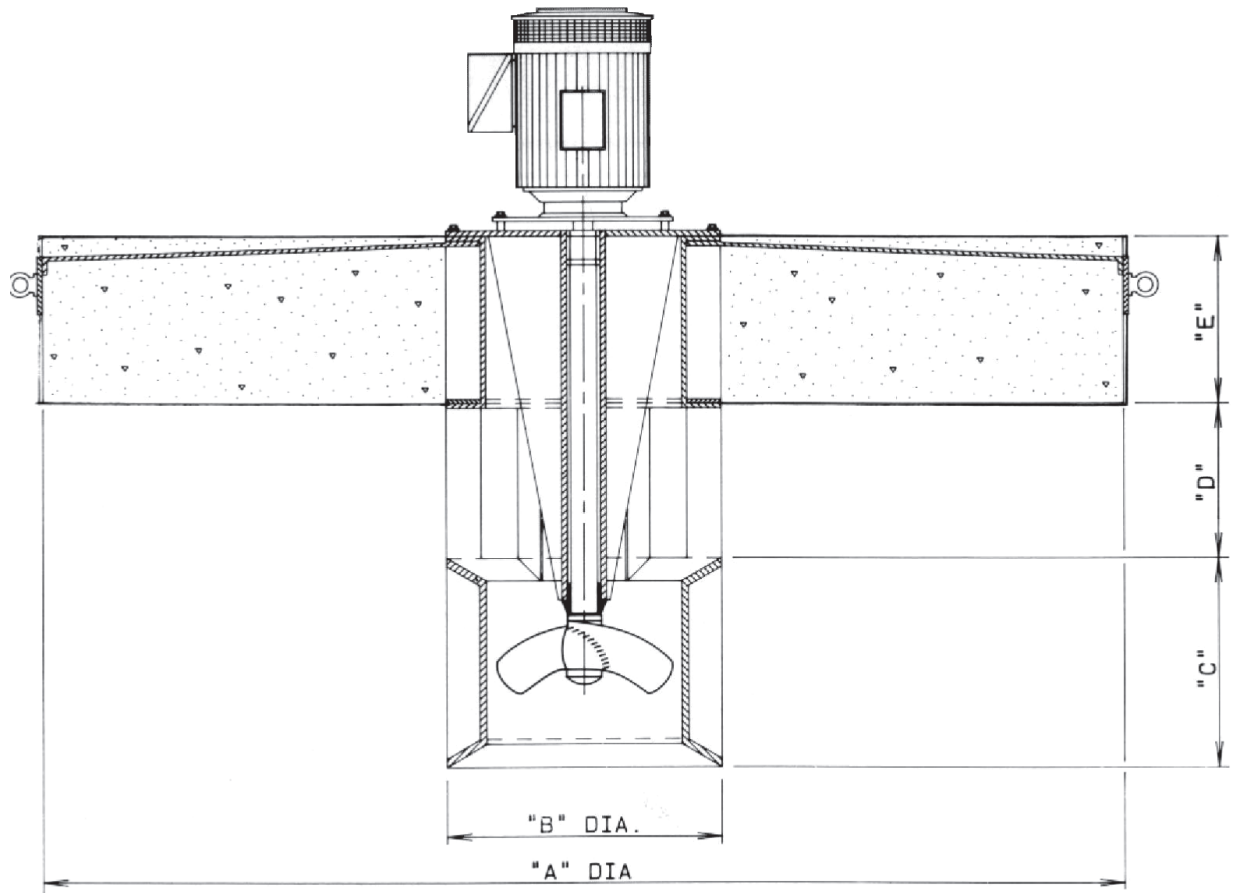




SKELLERUP

CONTAINMENT SYSTEMS

A Division of Viking Group Limited



900 RPM Floating Mixer

Mixer Size	'HP'	'A'	'B'	'C'	'D'	'E'
FM9005	5	182.8	49.5	25.4	20.3	33.2
FM9007	7.5	182.8	41.9	25.4	20.3	33.2
FM9010	10	182.8	47.6	25.4	20.3	33.2
FM9015	15	213.3	57.7	30.4	25.4	38.1
FM9020	20	213.3	48.2	30.4	25.4	38.1
FM9025	25	243.8	62.2	30.4	25.4	38.1
FM9030	30	243.8	62.2	30.4	25.4	38.1
FM9040	40	284.4	73.6	38.1	30.4	45.7
FM9050	50	284.4	73.6	38.1	30.4	45.7
FM9050	60	284.4	73.6	38.1	30.4	45.7

Floating Mixers 900 Series

When reliability matters