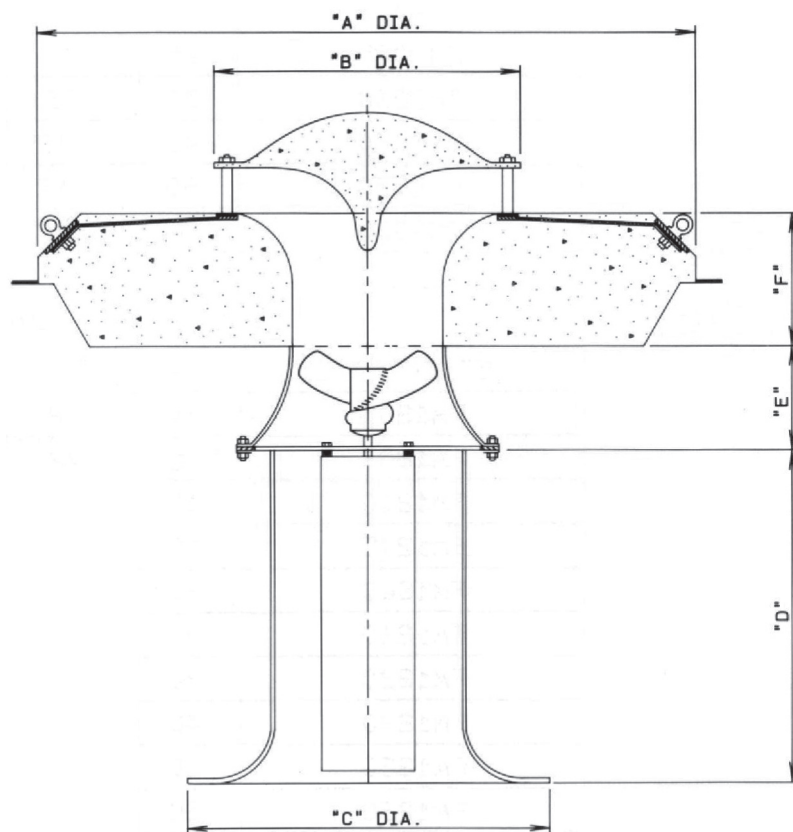


Submersible Motor Aerators 3450 Series



SKELLERUP
CONTAINMENT SYSTEMS

A Division of Viking Group Limited



3450 RPM Submersible Motor Aerator

Aerator Size	HP	'A'	'B'	'C'	'D'	'E'	'F'
FAS3613	.33	91.4	40.6	71.1	55.8	10.6	22.8
FAS3550	.5	91.4	40.6	71.1	55.8	10.6	22.8
FAS3675	.75	91.4	40.6	71.1	55.8	10.6	22.8
FAS3601	1	91.4	40.6	71.1	55.8	10.6	22.8
FAS3615	1.5	91.4	40.6	71.1	55.8	10.6	22.8
FAS3602	2	91.4	40.6	71.1	55.8	10.6	22.8
FAS3603	3	91.4	40.6	71.1	55.8	10.6	22.8
FAS3605	5	91.4	40.6	71.1	58.4	10.6	22.8
FAS3607	7.5	91.4	40.6	71.1	58.4	10.6	22.8
FAS3610	10	96.5	60.9	71.1	58.4	15.2	33.2

When reliability matters