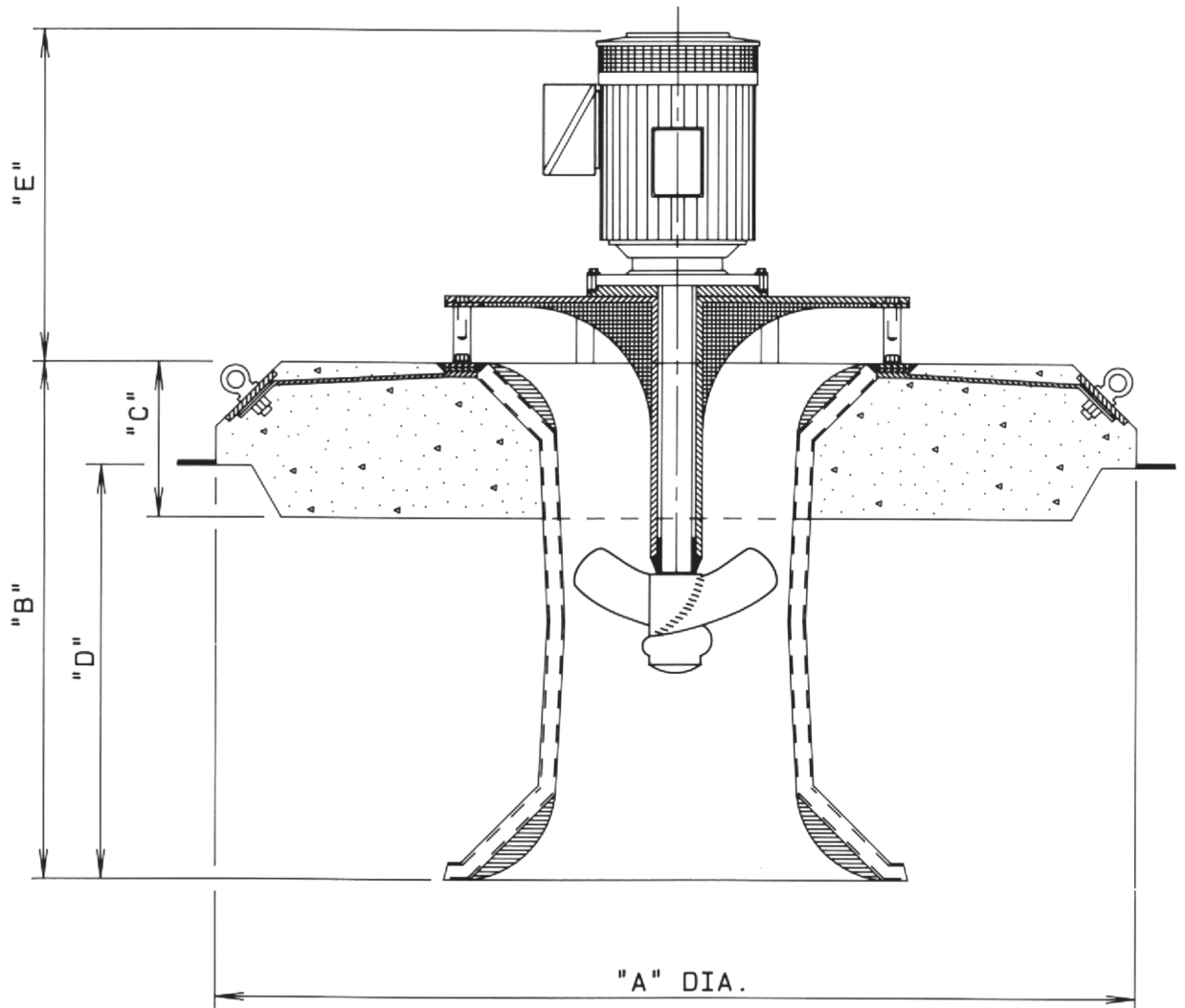




**SKELLERUP**

**CONTAINMENT SYSTEMS**

A Division of Viking Group Limited



## 1800 RPM Dimensions

Aerator Size	HP	'A'	'B'	'C'	'D'	'E'
FA1B01	1	152.4	86.6	30.4	71.1	53.3
FA1802	2	152.4	86.6	30.4	71.1	53.3
FA1803	3	152.4	86.6	30.4	71.1	53.3
FA1805	5	152.4	86.6	35.5	71.1	53.3
FA1807	7.5	182.9	91.4	33.2	76.2	58.4
FA1810	10	182.9	91.4	33.2	76.2	78.7
FA1815	15	182.9	124.4	33.2	101.6	78.7
FA1820	20	223.5	124.4	45.7	101.6	78.7
FA1825	25	223.5	124.4	45.7	101.6	81.2
FA1830	30	223.5	124.4	53.3	104.1	83.8

When reliability matters