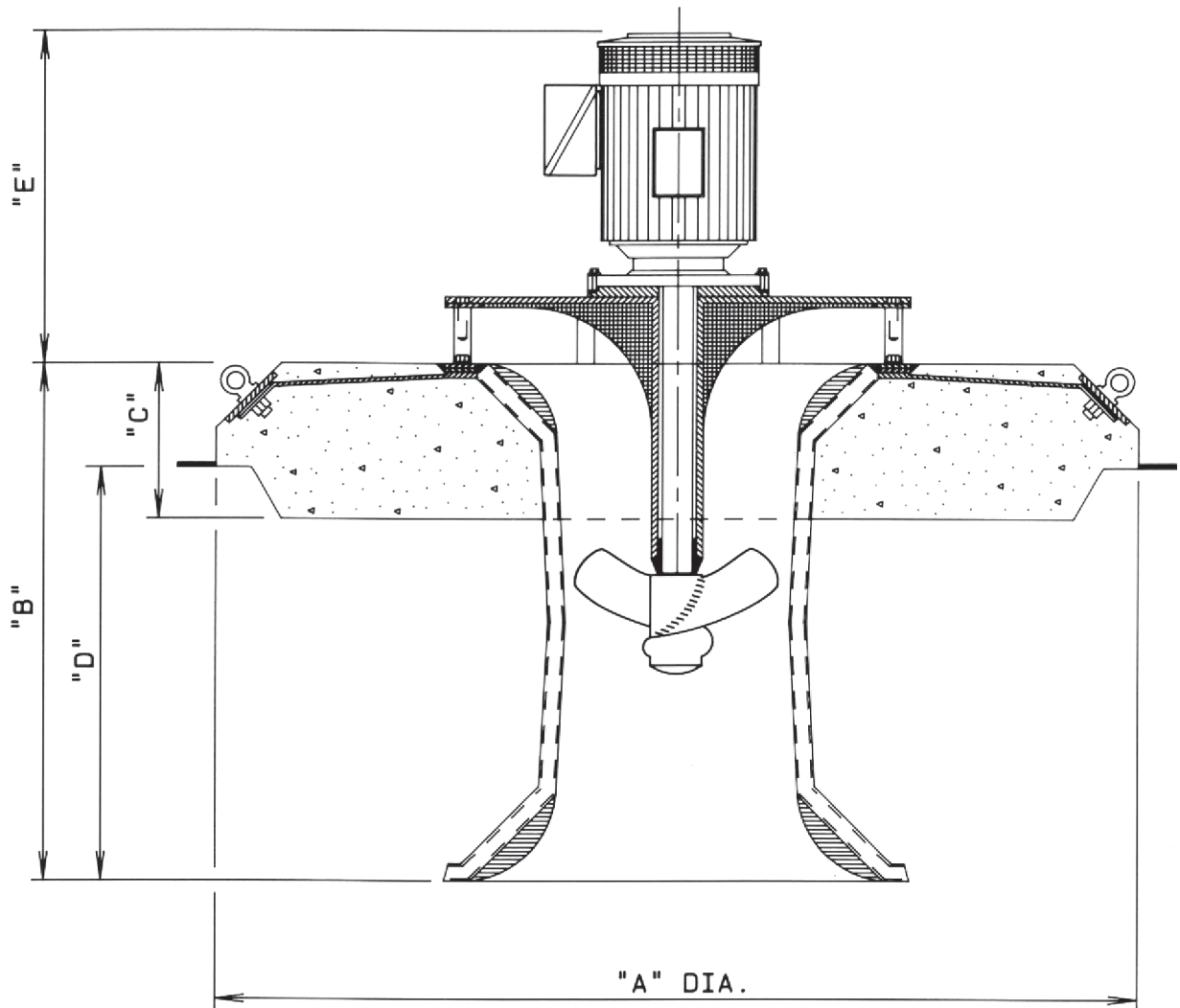




SKELLERUP

CONTAINMENT SYSTEMS

A Division of Viking Group Limited



900 RPM Dimensions

Aerator Size	HP	"A"	"B"	"C"	"D"	"E"
FA9005	5	182.9	91.4	33.2	76.2	68.5
FA9007	7.5	182.9	91.4	33.2	76.2	68.5
FA9010	10	182.9	96.5	38.1	83.8	78.7
FA9015	15	213.5	106.6	38.1	88.9	83.8
F99020	20	223.5	124.4	40.6	101.6	88.9
FA9025	25	223.5	124.4	53.3	101.6	93.9
FA9030	30	223.5	124.4	53.3	101.6	93.9
FA9040	40	243.8	137.1	53.3	106.6	99.0
FA9050	50	320.0	137.1	53.3	106.6	101.6
FA9060	60	320.0	137.1	53.3	106.6	101.6
FA9075	75	320.0	137.1	53.3	111.7	106.6

When reliability matters